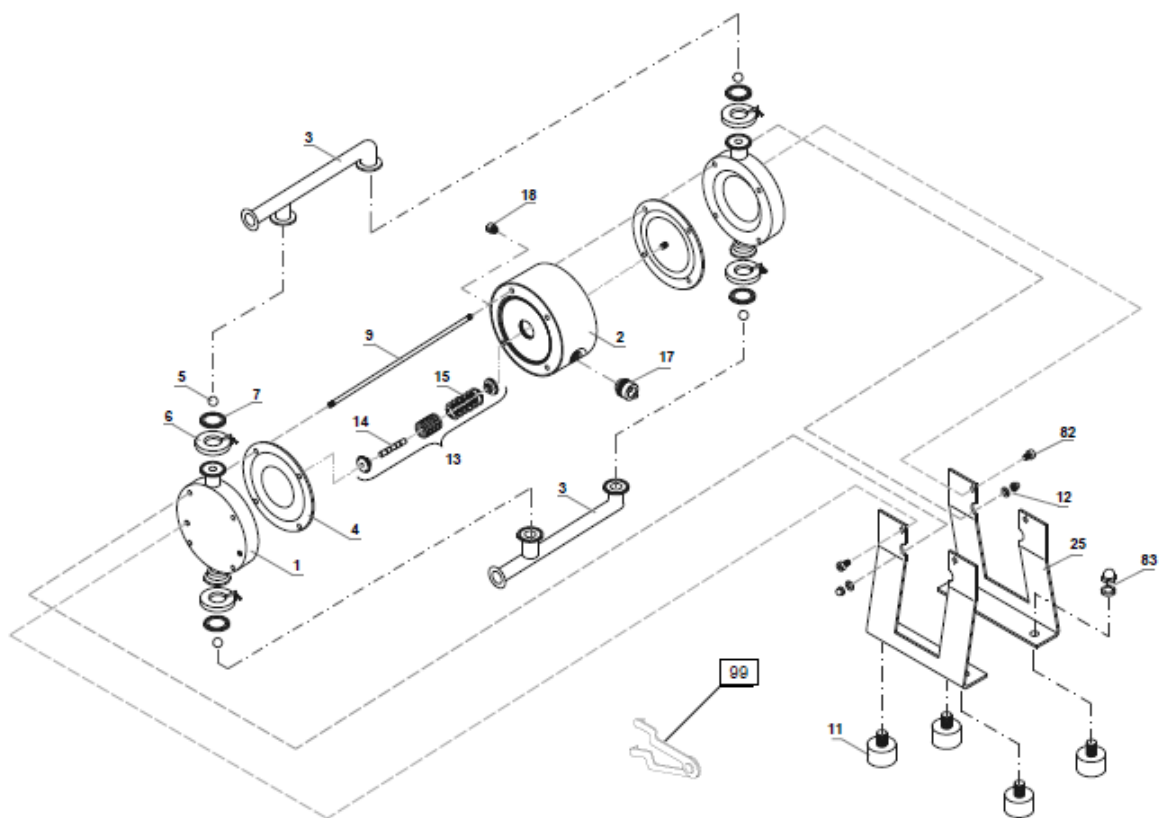


## 5. Names of parts and materials

### 5.1. DM 15/30



Spare parts list for DM 15/30 pump

		MATERIAL	DM 15/30
1.	2	Pump housing	AISI 316 L 4 15 01 53
2.	1	Center housing	PE 1 10 10 20
		PE conductive	1 10 10 21
3.	1	Manifold inlet DIN	AISI 316 L 4 15 30 53
		Manifold inlet TC	AISI 316 L 4 15 32 53
		Manifold inlet RJT	AISI 316 L 4 15 37 53
	1	Manifold outlet DIN	AISI 316 L 4 15 33 53
		Manifold outlet TC	AISI 316 L 4 15 35 53
		Manifold outlet RJT	AISI 316 L 4 15 137 53
4.	2	Diaphragm	TFM (PTFE) 1 10 50 05
		EPDM	1 10 50 08
		NBR	1 10 50 10
		EPDM/TFM/PFA	1 10 50 00
5.	4	Valve balls	PTFE 1 15 60 23
		EPDM	1 15 60 08
		NBR	1 15 60 10
		AISI 316	1 15 60 52
		Polyurethane	1 15 60 07
		Ceramic	1 15 60 90
6.	4	Clamp	AISI 304 4 25 38 50
7.	4	Sealing	PTFE 4 15 70 23
		EPDM	4 15 70 08
		Silicone	4 15 70 11
		NBR	4 15 70 10
		FPM	4 15 70 09
9.	4	Housing bolt	AISI 304 4 15 42 50
11.	4	Shock absorber	NR/SS 1 15 69 52
12.	8	Nut with washer	AISI 304 1 10 45 50
13.	1	Air valve	PET/NBR 1 08 020 31
		PET/FPM	1 08 020 32
14.	1	Shaft	AISI 304 1 08 24 50
15.	6	O-ring	NBR 1 08 080 10
		FPM	1 08 080 09
17.	1	Muffler	PE porous 1 08 99 35
		PE porous	1 08 499 35
		BZ	1 08 99 88
		BZ	1 08 499 88
18.	1	Air adapter	PP 1 08 48 28
20.	1	Tube	PP 4 15 98 28
		AISI 316 L	4 15 98 53
25.	1	Support	AISI 304 4 15 98 50
35.	1	Center housing complete	PE 1 10 11 20
		PE conductive	1 10 11 21
82.	4	Support nut	AISI 304 4 15 138 50
83.	4	Shock absorber nut with washer	AISI 304 4 15 345 50
99.	1	Air valve key (SK4)	diverse 1 08 58 00